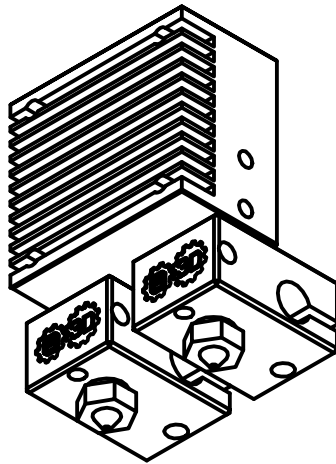
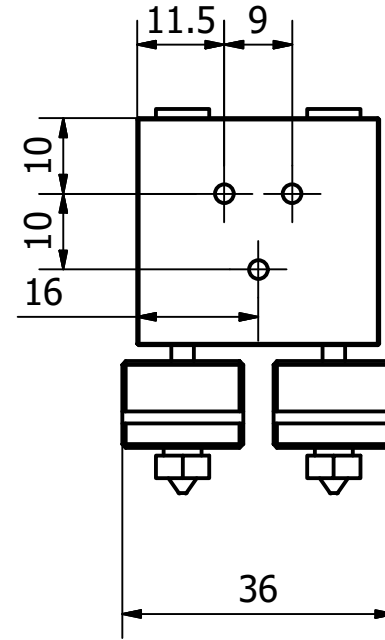
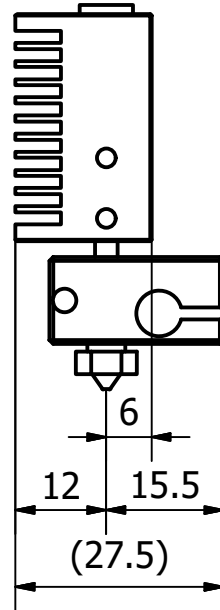
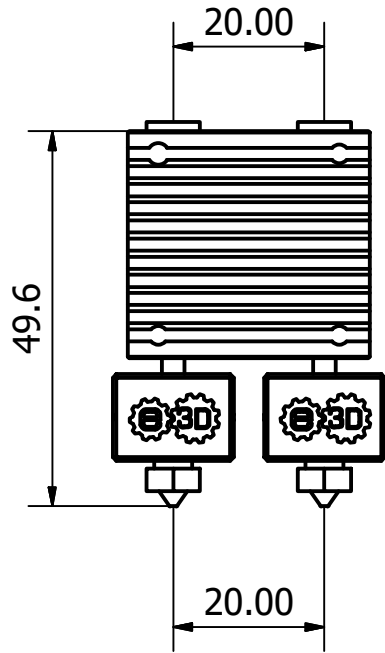


REVISION HISTORY				
ZONE	REV	DESCRIPTION	DATE	APPROVED
	1	First release	16/02/2018	ABL




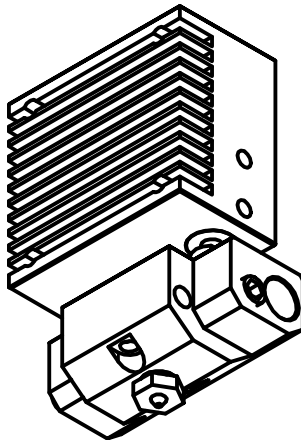
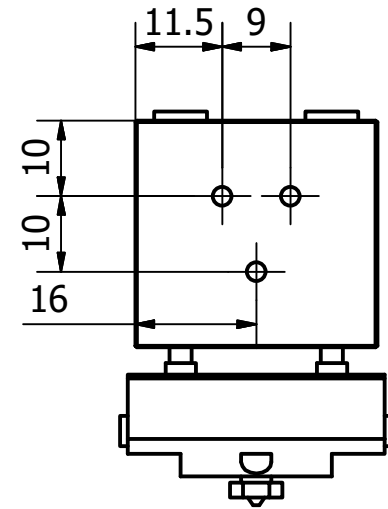
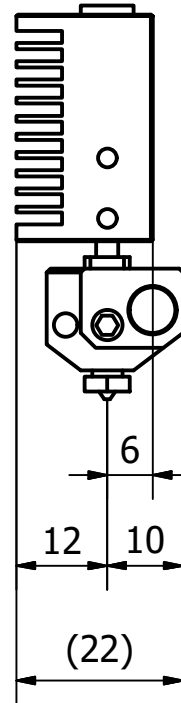
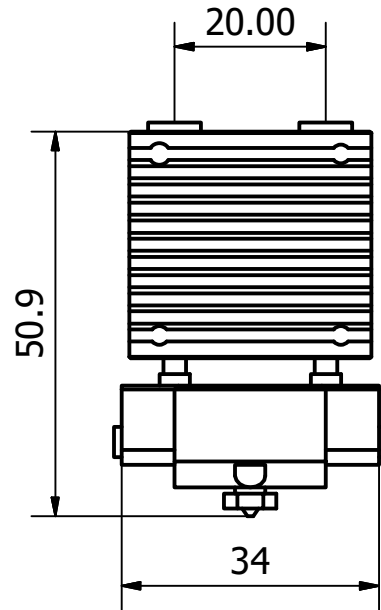
THIRD ANGLE PROJECTION
 ALL DIMENSIONS IN MM
 MATERIAL: N/A
 SCALE: 1:1
 SURFACE FINISH: UNFINISHED UNLESS STATED

TOLERANCES UNLESS OTHERWISE STATED:
 X ±0.2
 X.X ±0.1
 X.XX ±0.05

Copyright (C) E3D-Online Ltd (e3d-online.com)

These drawings are free hardware: you can redistribute it and/or modify it under the terms of the GNU General Public License as published by the Free Software Foundation, either version 3 of the License, or (at your option) any later version.

Designed by ABL	Checked by RY	Approved by RY	Date 16/02/2018	Date 16/02/2018
 E3D-ONLINE your toolkit for everything 3D printing		CYCLOPS/CHIMERA PLUS/AQUA		
CYC-CHI PLUS ALL			Edition 1	Sheet 1 / 7




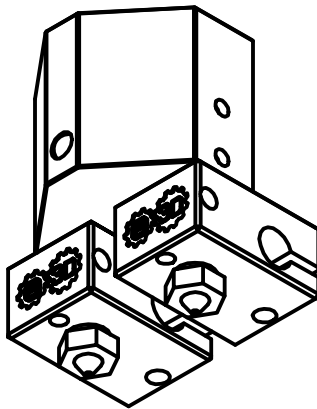
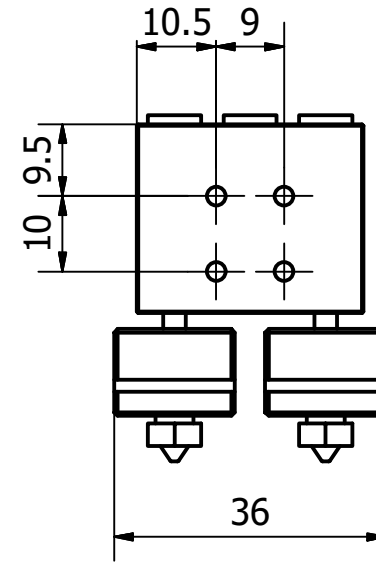
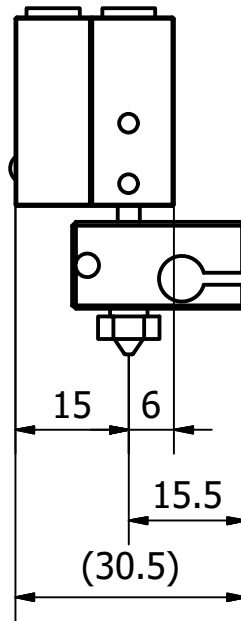
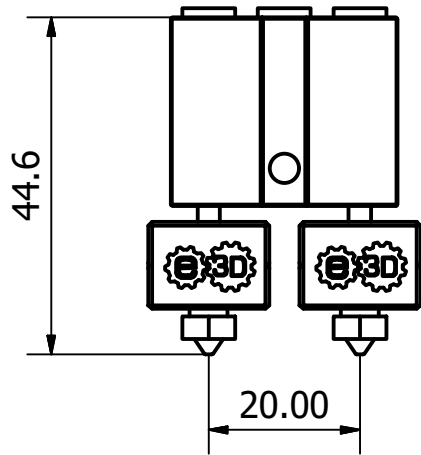
THIRD ANGLE PROJECTION
 ALL DIMENSIONS IN MM
 MATERIAL: N/A
 SCALE: 1:1
 SURFACE FINISH: UNFINISHED UNLESS STATED

TOLERANCES UNLESS OTHERWISE STATED:
 X ±0.2
 X.X ±0.1
 X.XX ±0.05

Copyright (C) E3D-Online Ltd (e3d-online.com)

These drawings are free hardware: you can redistribute it and/or modify it under the terms of the GNU General Public License as published by the Free Software Foundation, either version 3 of the License, or (at your option) any later version.

Designed by ABL	Checked by RY	Approved by RY	Date 16/02/2018	Date 16/02/2018
 E3D-ONLINE your toolkit for everything 3D printing		CYCLOPS/CHIMERA PLUS/AQUA		
CYC-CHI PLUS ALL			Edition 1	Sheet 2 / 7




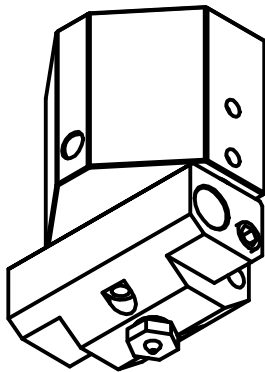
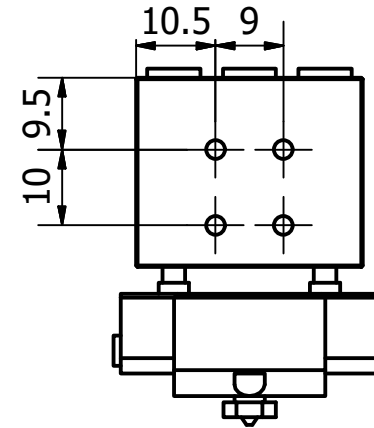
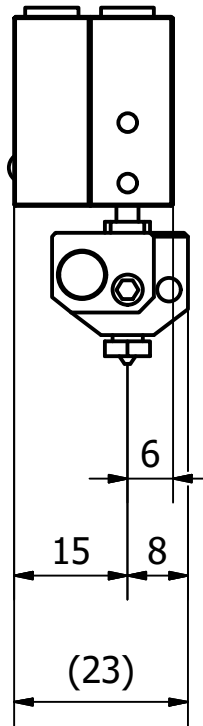
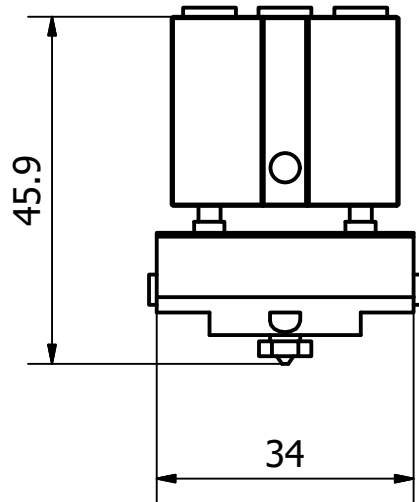
THIRD ANGLE PROJECTION
 ALL DIMENSIONS IN MM
 MATERIAL: N/A
 SCALE: 1:1
 SURFACE FINISH: UNFINISHED UNLESS STATED

TOLERANCES UNLESS OTHERWISE STATED:
 X ±0.2
 X.X ±0.1
 X.XX ±0.05

Copyright (C) E3D-Online Ltd (e3d-online.com)

These drawings are free hardware: you can redistribute it and/or modify it under the terms of the GNU General Public License as published by the Free Software Foundation, either version 3 of the License, or (at your option) any later version.

Designed by ABL	Checked by RY	Approved by RY	Date 16/02/2018	Date 16/02/2018
 E3D-ONLINE your toolkit for everything 3D printing		CYCLOPS/CHIMERA PLUS/AQUA		
CYC-CHI PLUS ALL			Edition 1	Sheet 3 / 7




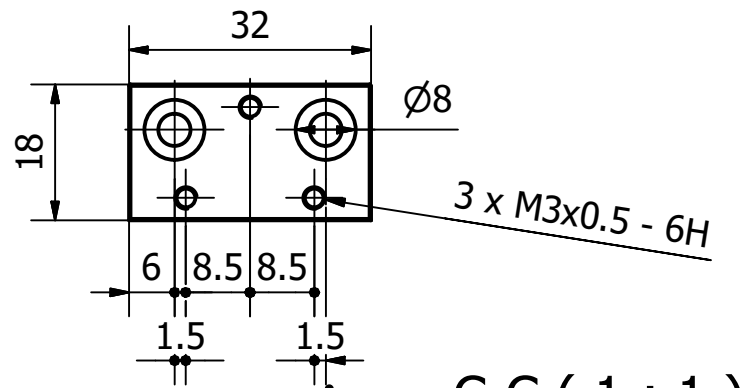
THIRD ANGLE PROJECTION
 ALL DIMENSIONS IN MM
 MATERIAL: N/A
 SCALE: 1:1
 SURFACE FINISH: UNFINISHED UNLESS STATED

TOLERANCES UNLESS OTHERWISE STATED:
 X ±0.2
 X.X ±0.1
 X.XX ±0.05

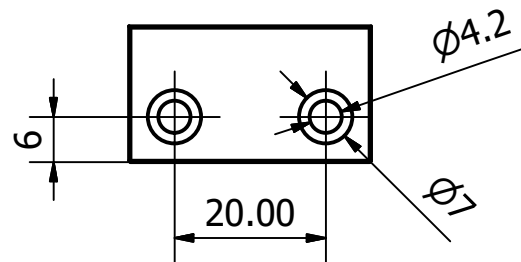
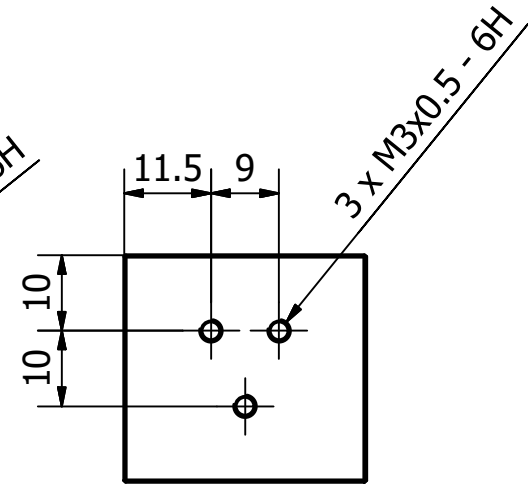
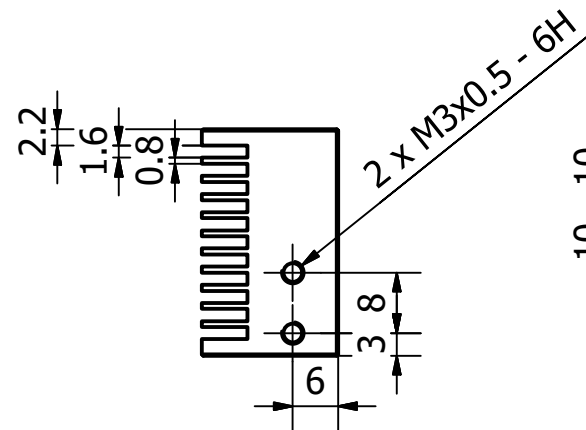
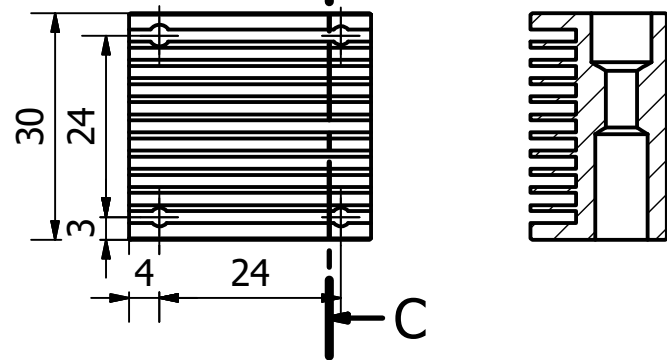
Copyright (C) E3D-Online Ltd (e3d-online.com)

These drawings are free hardware: you can redistribute it and/or modify it under the terms of the GNU General Public License as published by the Free Software Foundation, either version 3 of the License, or (at your option) any later version.

Designed by ABL	Checked by RY	Approved by RY	Date 16/02/2018	Date 16/02/2018
 E3D-ONLINE your toolkit for everything 3D printing		CYCLOPS/CHIMERA PLUS/AQUA		
CYC-CHI PLUS ALL			Edition 1	Sheet 4 / 7



C-C (1:1)




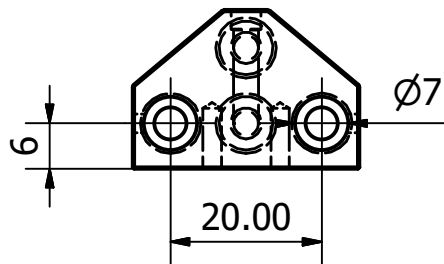
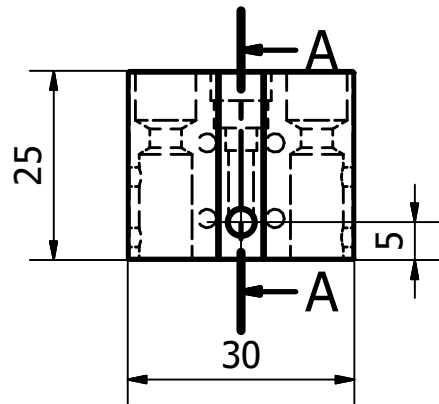
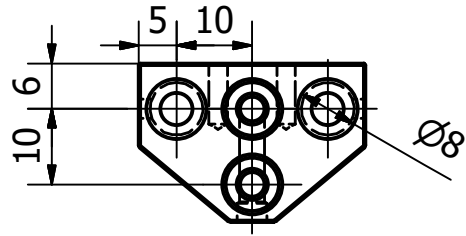
Copyright (C) E3D-Online Ltd (e3d-online.com)

These drawings are free hardware: you can redistribute it and/or modify it under the terms of the GNU General Public License as published by the Free Software Foundation, either version 3 of the License, or (at your option) any later version.

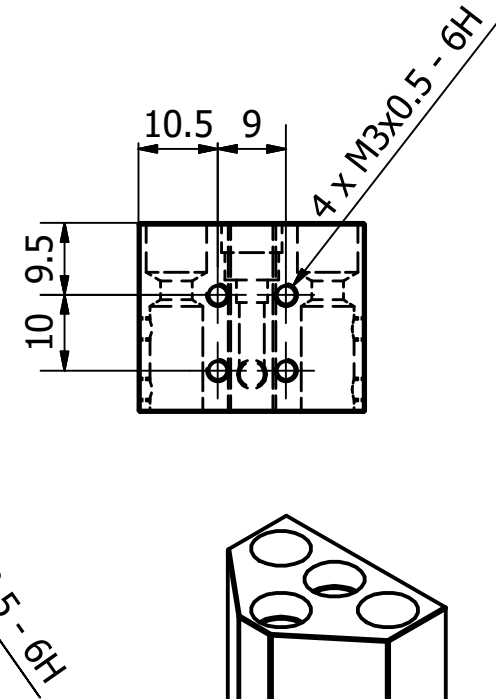
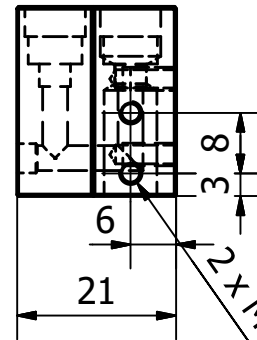
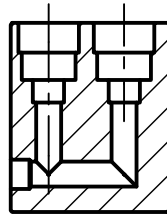
THIRD ANGLE PROJECTION
 ALL DIMENSIONS IN MM
 MATERIAL: ALUMINIUM
 SCALE: 1:1
 SURFACE FINISH: UNFINISHED UNLESS STATED

TOLERANCES UNLESS OTHERWISE STATED:
 X ±0.2
 X.X ±0.1
 X.XX ±0.05

Designed by ABL	Checked by RY	Approved by RY	Date 16/02/2018	Date 16/02/2018
 E3D-ONLINE your toolkit for everything 3D printing			CYCLOPS/CHIMERA PLUS/AQUA	
CYC-CHI PLUS ALL			Edition 1	Sheet 5 / 7




A-A (1 : 1)



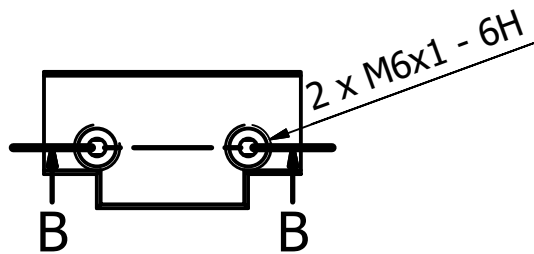
Copyright (C) E3D-Online Ltd (e3d-online.com)

These drawings are free hardware: you can redistribute it and/or modify it under the terms of the GNU General Public License as published by the Free Software Foundation, either version 3 of the License, or (at your option) any later version.

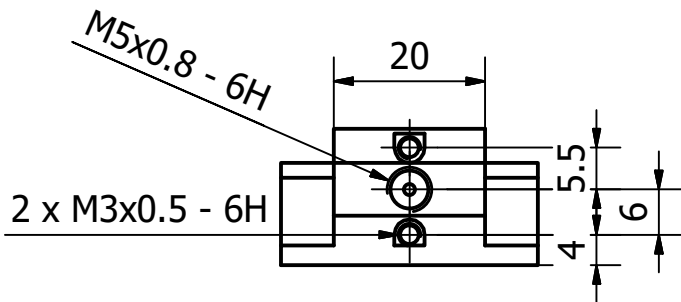
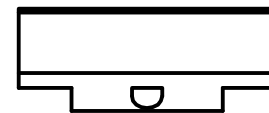
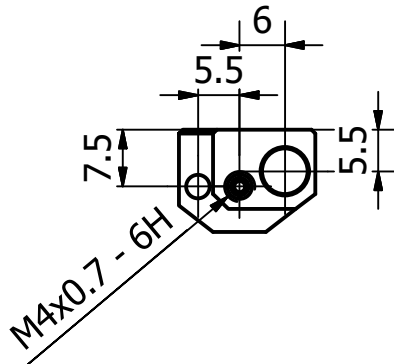
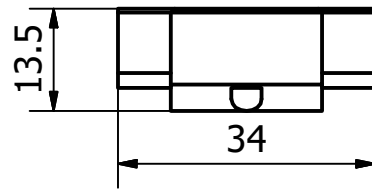
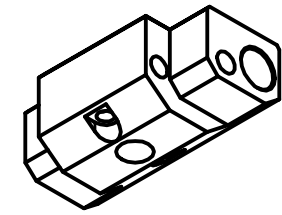
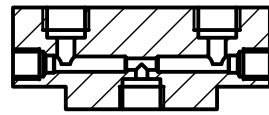
Designed by ABL	Checked by RY	Approved by RY	Date 16/02/2018	Date 16/02/2018
 E3D-ONLINE your toolkit for everything 3D printing			CYCLOPS/CHIMERA PLUS/AQUA	
CYC-CHI PLUS ALL			Edition 1	Sheet 6 / 7

THIRD ANGLE PROJECTION
 ALL DIMENSIONS IN MM
 MATERIAL: ALUMINIUM
 SCALE: 1:1
 SURFACE FINISH: UNFINISHED UNLESS STATED

TOLERANCES UNLESS OTHERWISE STATED:
 X ±0.2
 X.X ±0.1
 X.XX ±0.05




B-B (1 : 1)



Copyright (C) E3D-Online Ltd (e3d-online.com)

These drawings are free hardware: you can redistribute it and/or modify it under the terms of the GNU General Public License as published by the Free Software Foundation, either version 3 of the License, or (at your option) any later version.

Designed by ABL	Checked by RY	Approved by RY	Date 16/02/2018	Date 16/02/2018
 your toolkit for everything 3D printing			CYCLOPS/CHIMERA PLUS/AQUA	
CYC-CHI PLUS ALL			Edition 1	Sheet 7 / 7

THIRD ANGLE PROJECTION
 ALL DIMENSIONS IN MM
 MATERIAL: ALUMINIUM
 SCALE: 1:1
 SURFACE FINISH: UNFINISHED UNLESS STATED

TOLERANCES UNLESS OTHERWISE STATED:
 X ±0.2
 X.X ±0.1
 X.XX ±0.05